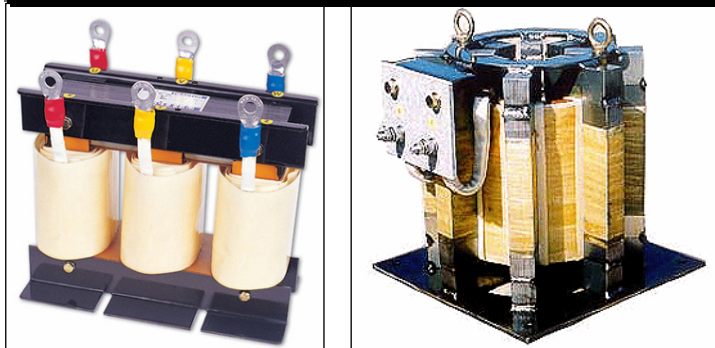


HYUNDAI INVERTER OPTION DEVICE TECHNICAL GUIDE

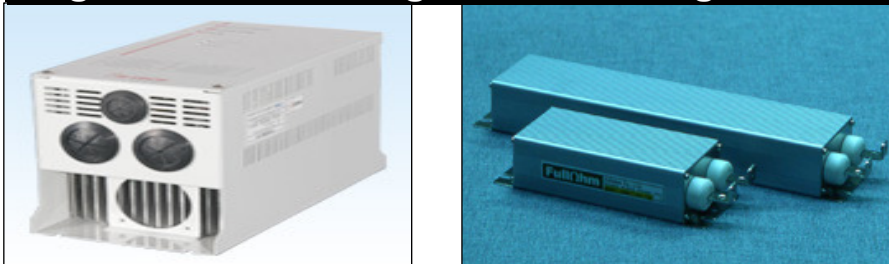
AC & DC Reactor



Noise Filter



Regenerative Braking Unit & Braking Resistor



Option Card

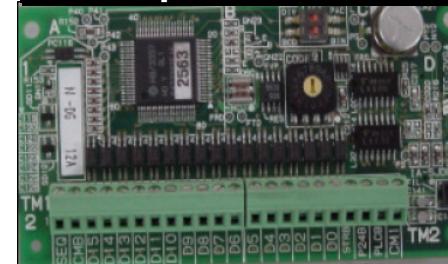


Table of Contents

1. Division and Model Name Indication 3

2. Model List of the Inverter 5

2-1. SF & LF Type	5
2-2. HF Type	6
2-3. LFP & K Type	7
2-4. HFP & K Type	8

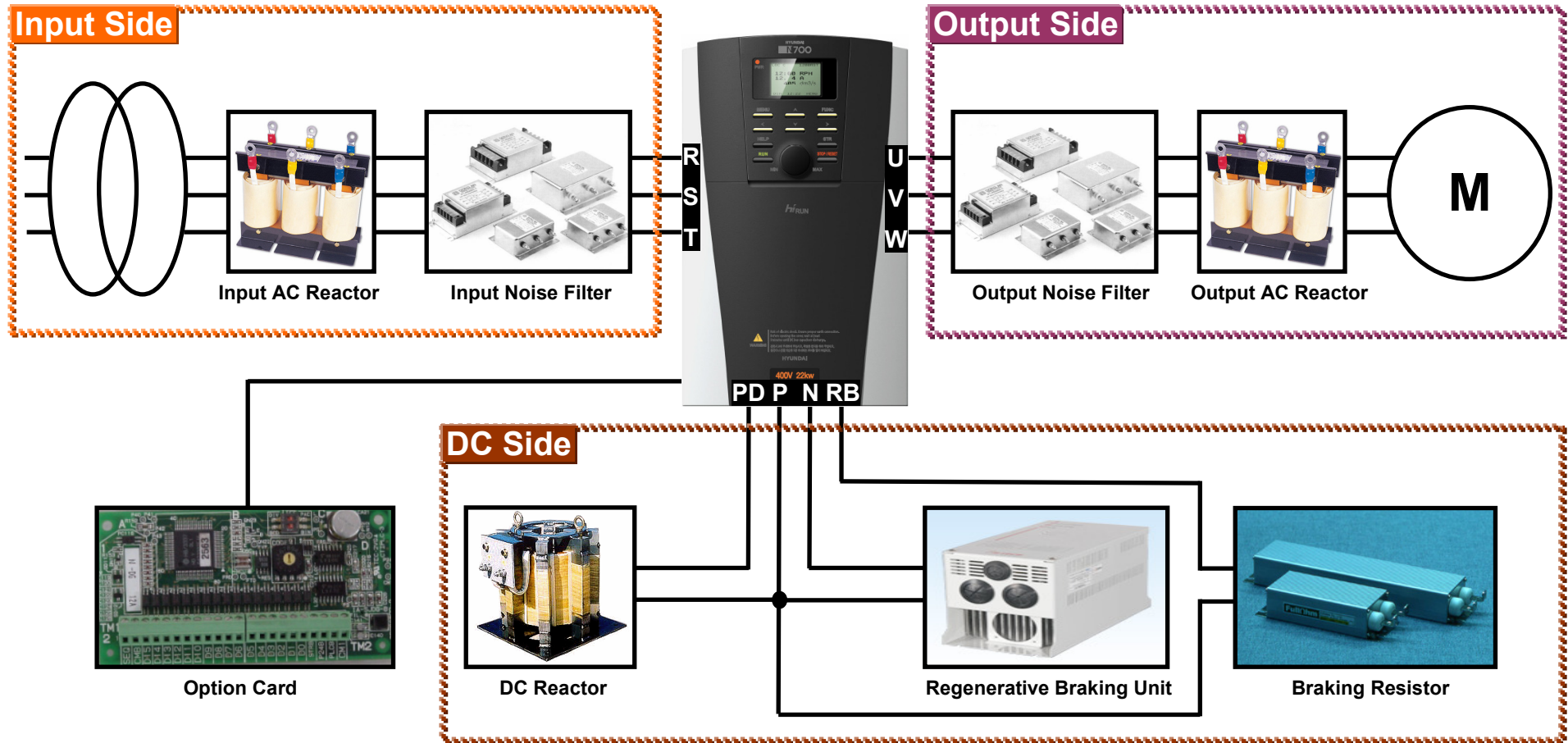
3. Specification 9

3-1. AC Reactor	9
3-2. DC Reactor	15
3-3. Regenerative Braking Unit	18
3-4. Regenerative Braking Resistor	21
3-5. Noise Filter	27

4. Options for Feedback and Communication 32

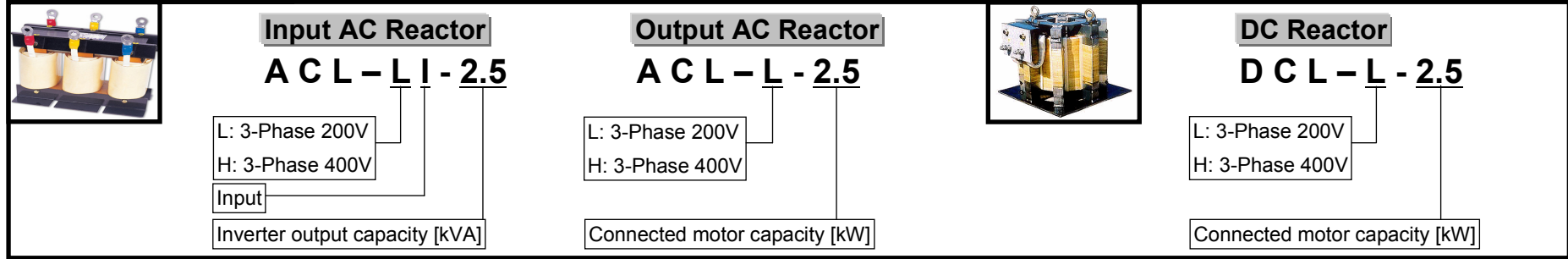
1-1. Division of Inverter Side

Division of Inverter Side

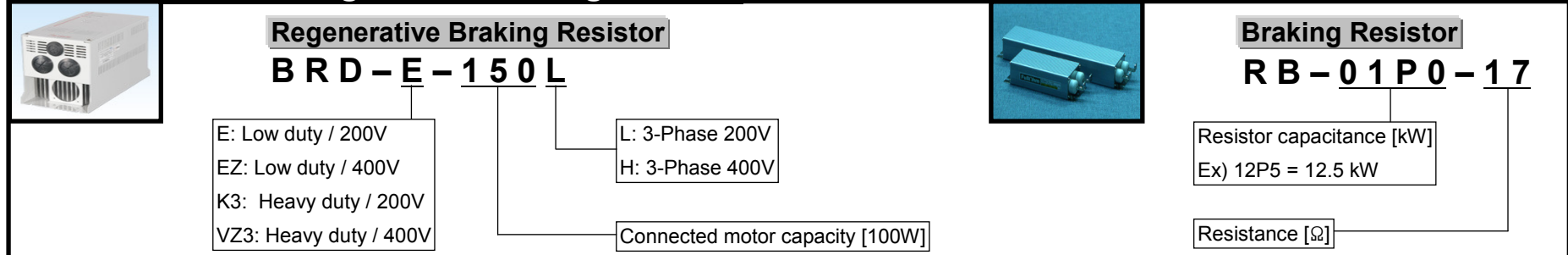


1-2. Model Name Indication

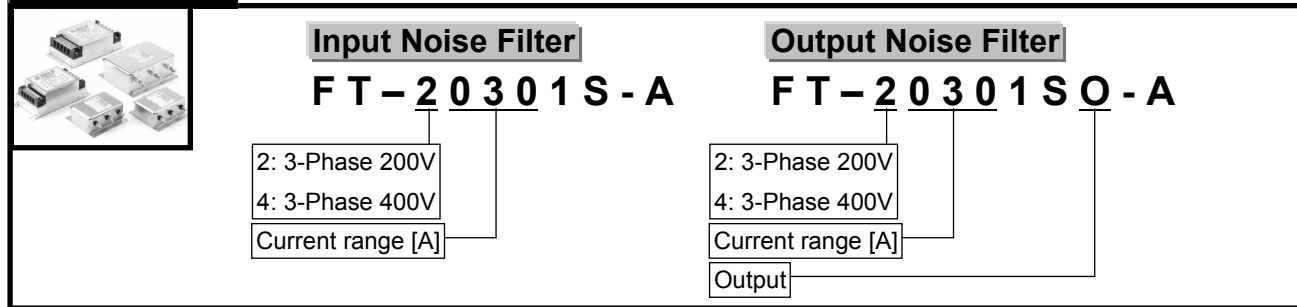
AC & DC Reactor



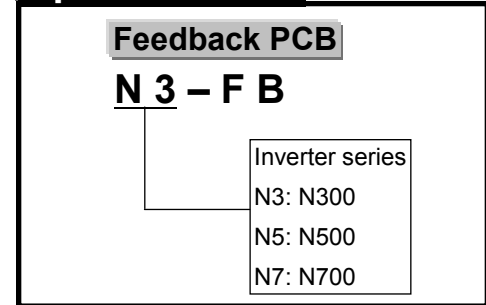
Regenerative Braking Unit & Braking resistor



Noise Filter



Option Boards



2-1. Model List of the Inverter (SF & LF Type)

SF & LF Type Inverter Option List

Inverter Model	AC Reactor		DC Reactor	Regenerative Braking Unit (Low Duty) [Note]	Braking Resistor (Heavy duty)	Noise Filter	
	Input (Large Harmonic)	Output				Input	Output
004SF	ACL-LI-1.5 (ACL-LI5-1.5)	ACL-L-0.4	DCL-L-2.2	Built-in	RB0 (RB0)	FM-220S	FT-2030ISO-A
007SF	ACL-LI-2.5 (ACL-LI5-2.5)	ACL-L-0.75	DCL-L-2.2	Built-in	RB0 (RB0)	FM-220S	FT-2030ISO-A
015SF	ACL-LI-3.5 (ACL-LI5-3.5)	ACL-L-1.5	DCL-L-2.2	Built-in	RB0 (RB0)	FM-220S	FT-2030ISO-A
022SF	ACL-LI-5.5 (ACL-LI5-5.5)	ACL-L-2.2	DCL-L-2.2	Built-in	RB0 (RB0)	FM-220S	FT-2030ISO-A
004LF	ACL-LI-1.5 (ACL-LI5-1.5)	ACL-L-0.4	DCL-L-0.4	Built-in	RB0 (RB0)	FT-2030IS-A	FT-2030ISO-A
007LF	ACL-LI-1.5 (ACL-LI5-1.5)	ACL-L-0.75	DCL-L-0.75	Built-in	RB0 (RB0)	FT-2030IS-A	FT-2030ISO-A
015LF	ACL-LI-2.5 (ACL-LI5-2.5)	ACL-L-1.5	DCL-L-1.5	Built-in	RB0 (RB0)	FT-2030IS-A	FT-2030ISO-A
022LF	ACL-LI-3.5 (ACL-LI5-3.5)	ACL-L-2.2	DCL-L-2.2	Built-in	RB1 (RB2)	FT-2030IS-A	FT-2040ISO-A
037LF	ACL-LI-5.5 (ACL-LI5-5.5)	ACL-L-3.7	DCL-L-3.7	Built-in	RB2 (RB3)	FT-2030IS-A	FT-2030ISO-A
055LF	ACL-LI-7.5 (ACL-LI5-7.5)	ACL-L-5.5	DCL-L-5.5	Built-in	RB-01P0-17 (RB-01P2-17)	FT-2030IS-A	FT-2030ISO-A
075LF	ACL-LI-11 (ACL-LI5-11)	ACL-L-7.5	DCL-L-7.5	Built-in	RB-01P0-17 (RB-01P2-17)	FT-2040IS-A	FT-2040ISO-A
110LF	ACL-LI-15 (ACL-LI5-15)	ACL-L-11	DCL-L-11	Built-in	RB-01P0-17 (RB-01P2-17)	FT-2050IS-A	FT-2050ISO-A
150LF	ACL-LI-22 (ACL-LI5-22)	ACL-L-15	DCL-L-15	BRD-K3-150L (BRD-E-150L)	RB-02P5-8.7 (RB-04P5-8.7)	FT-2070IS-A	FT-2070ISO-A
185LF	ACL-LI-33 (ACL-LI5-33)	ACL-L-18.5	DCL-L-22	BRD-K3-220L (BRD-E-220L)	RB-03P0-6 (RB-05P6-6)	FT-2080IS-A	FT-2080ISO-A
220LF	ACL-LI-33 (ACL-LI5-33)	ACL-L-22	DCL-L-22	BRD-K3-220L (BRD-E-220L)	RB-04P0-6 (RB-06P6-6)	FT-2100IS-A	FT-2100ISO-A
300LF	ACL-LI-40 (ACL-LI5-40)	ACL-L-30	DCL-L-30	BRD-K3-370L	RB-05P0-3.5 (RB-09P0-3.5)	FT-2130IS-A	FT-2130ISO-A
370LF	ACL-LI-50 (ACL-LI5-50)	ACL-L-37	DCL-L-37	BRD-K3-370L	RB-06P0-3.5 (RB-11P2-3.5)	FT-2150IS-A	FT-2150ISO-A
450LF	ACL-LI-60 (ACL-LI5-60)	ACL-L-45	DCL-L-45	BRD-K3-550L	RB-07P0-2.4 (RB-13P5-2.4)	FT-2200IS-A	FT-2200ISO-A
550LF	ACL-LI-70 (ACL-LI5-70)	ACL-L-55	DCL-L-55	BRD-K3-550L	RB-08P5-2.4 (RB-16P5-2.4)	FT-2250IS-A	FT-2250ISO-A

[Note] Especially, regenerative braking unit of N700 inverter is built-in up to 220LF.

Model Selection				Option Specification									
SF&LF Type	HF Type	LFP&K Type	HFP&K Type	AC Reactor		DC Reactor		BRD Unit	Braking Resistor		Noise Filter		Feedback & Communication
				Input	Output	200V Class	400V Class		Low duty	Heavy duty	Input	Output	

2-2. Model List of the Inverter (HF Type)

HF Type Inverter Option List

Inverter Model	AC Reactor		DC Reactor	Regenerative Braking Unit (Low Duty) [Note]	Braking Resistor (Heavy duty)	Noise Filter	
	Input (Large Harmonic)	Output				Input	Output
004HF	ACL-HI-1.5 (ACL-HI5-1.5)	ACL-H-1.5	DCL-H-2.2	Built-in	RB1 (RB1)	FT-40201S-A	FT-40201SO-A
007HF	ACL-HI-1.5 (ACL-HI5-1.5)	ACL-H-1.5	DCL-H-2.2	Built-in	RB1 (RB1)	FT-40201S-A	FT-40201SO-A
015HF	ACL-HI-2.5 (ACL-HI5-2.5)	ACL-H-1.5	DCL-H-2.2	Built-in	RB1 (RB1)	FT-40201S-A	FT-40201SO-A
022HF	ACL-HI-3.5 (ACL-HI5-3.5)	ACL-H-2.2	DCL-H-2.2	Built-in	RB1 (RB2)	FT-40201S-A	FT-40201SO-A
037HF	ACL-HI-5.5 (ACL-HI5-6.5)	ACL-H-3.7	DCL-H-3.7	Built-in	RB2 (RB2)	FT-40201S-A	FT-40201SO-A
055HF	ACL-HI-7.5 (ACL-HI5-8)	ACL-H-5.5	DCL-H-5.5	Built-in	RB-01P2-70 (RB-01P8-70)	FT-40201S-A	FT-40201SO-A
075HF	ACL-HI-11 (ACL-HI5-11)	ACL-H-7.5	DCL-H-7.5	Built-in	RB-01P2-50 (RB-02P4-50)	FT-40201S-A	FT-40201SO-A
110HF	ACL-HI-15 (ACL-HI5-16)	ACL-H-11	DCL-H-11	Built-in	RB-02P0-50 (RB-03P3-50)	FT-40301S-A	FT-40301SO-A
150HF	ACL-HI-22 (ACL-HI5-22)	ACL-H-15	DCL-H-15	BRD-VZ3-150H (BRD-EZ-150H)	RB-02P5-30 (RB-04P5-30)	FT-40401S-A	FT-40401SO-A
185HF	ACL-HI-33 (ACL-HI5-33)	ACL-H-22	DCL-H-22	BRD-VZ3-220H (BRD-EZ-220H)	RB-03P0-20 (RB-05P6-20)	FT-40401S-A	FT-40401SO-A
220HF	ACL-HI-33 (ACL-HI5-33)	ACL-H-22	DCL-H-22	BRD-VZ3-220H (BRD-EZ-220H)	RB-04P0-20 (RB-06P6-20)	FT-40501S-A	FT-40501SO-A
300HF	ACL-HI-40 (ACL-HI5-40)	ACL-H-30	DCL-H-30	BRD-VZ3-370H	RB-05P0-12 (RB-09P0-12)	FT-40601S-A	FT-40601SO-A
370HF	ACL-HI-50 (ACL-HI5-50)	ACL-H-37	DCL-H-37	BRD-VZ3-370H	RB-06P0-12 (RB-11P2-12)	FT-40801S-A	FT-40801SO-A
450HF	ACL-HI-60 (ACL-HI5-60)	ACL-H-45	DCL-H-45	BRD-VZ3-550H	RB-07P0-8 (RB-13P5-8)	FT-41001S-A	FT-41001SO-A
550HF	ACL-HI-70 (ACL-HI5-70)	ACL-H-55	DCL-H-55	BRD-VZ3-550H	RB-08P5-8 (RB-16P5-8)	FT-41201S-A	FT-41201SO-A
750HF	ACL-HI-100 (ACL-HI5-100)	ACL-H-75	DCL-H-75	BRD-VZ3-750H	RB-11P2-6 (RB-22P5-6)	FT-41501S-A	FT-41501SO-A
900HF	ACL-HI-120 (ACL-HI5-120)	ACL-H-90	DCL-H-90	BRD-VZ3-550H x 2EA	RB-11P2-6 (RB-22P5-6) x 2EA	FT-41801S-A	FT-41801SO-A
1100HF	ACL-HI-150 (ACL-HI5-150)	ACL-H-110	DCL-H-110	BRD-VZ3-550H x 2EA	RB-11P2-6 (RB-22P5-6) x 2EA	FT-42201S-A	FT-42201SO-A
1320HF	ACL-HI-180 (ACL-HI5-180)	ACL-H-132	DCL-H-132	BRD-VZ3-750H x 2EA	RB-11P2-6 (RB-22P5-6) x 2EA	FT-42601S-A	FT-42601SO-A
1600HF	ACL-HI-220 (ACL-HI5-220)	ACL-H-160	DCL-H-160	BU160-4S	RB-22P2-3 (RB-45P0-3) x 2EA	KT3AK-4400	KT3CZ-4400
2200HF	ACL-HI-300 (ACL-HI5-300)	ACL-H-220	DCL-H-220	BU220-4S	RB-22P2-3 (RB-45P0-3) x 2EA	KT3AK-4500	KT3CZ-4500
2800HF	ACL-HI-400 (ACL-HI5-400)	ACL-H-280	DCL-H-280	BU160-4S x 2EA	RB-22P5-3 (RB-45P0-3) x 2EA	A3R4700-KL	Z3R4700-KL
3500HF	ACL-HI-500 (ACL-HI5-500)	ACL-H-375	DCL-H-350	BU220-4S x 2EA	RB-33P7-2 (RB-67P5-2) x 2EA	A3R41K0-KL	Z3R41K0-KL

[Note] Especially, regenerative braking unit of N700 inverter is built-in up to 220HF.

Model Selection				Option Specification									
SF&LF Type	HF Type	LFP&K Type	HFP&K Type	AC Reactor		DC Reactor		BRD Unit	Braking Resistor		Noise Filter		Feedback & Communication
				Input	Output	200V Class	400V Class		Low duty	Heavy duty	Input	Output	

2-3. Model List of the Inverter (LFP & K Type)

LFP & K Type Inverter Option List

Inverter Model	AC Reactor		DC Reactor	Regenerative Braking Unit (Low Duty)	Braking Resistor (Heavy duty)	Noise Filter	
	Input (Large Harmonic)	Output				Input	Output
037LFK	ACL-LI-5.5 (ACL-LI5-5.5)	ACL-L-3.7	DCL-L-3.7	Built-in	RB2 (RB3)	FT-20301S-A	FT-20301SO-A
055LFP&K	ACL-LI-7.5 (ACL-LI5-7.5)	ACL-L-5.5	DCL-L-5.5	Built-in	RB-01P0-17 (RB-01P2-17)	FT-20301S-A	FT-20301SO-A
075LFP&K	ACL-LI-11 (ACL-LI5-11)	ACL-L-7.5	DCL-L-7.5	Built-in	RB-01P0-17 (RB-01P2-17)	FT-20401S-A	FT-20401SO-A
110LFP&K	ACL-LI-15 (ACL-LI5-15)	ACL-L-11	DCL-L-11	Built-in	RB-01P0-17 (RB-01P2-17)	FT-20501S-A	FT-20501SO-A
150LFP&K	ACL-LI-22 (ACL-LI5-22)	ACL-L-15	DCL-L-15	BRD-K3-150L (BRD-E-150L)	RB-02P5-8.7 (RB-04P5-8.7)	FT-20701S-A	FT-20701SO-A
185LFP&K	ACL-LI-33 (ACL-LI5-33)	ACL-L-18.5	DCL-L-22	BRD-K3-220L (BRD-E-220L)	RB-03P0-6 (RB-05P6-6)	FT-20801S-A	FT-20801SO-A
220LFP&K	ACL-LI-33 (ACL-LI5-33)	ACL-L-22	DCL-L-22	BRD-K3-220L (BRD-E-220L)	RB-04P0-6 (RB-06P6-6)	FT-21001S-A	FT-21001SO-A
300LFP&K	ACL-LI-40 (ACL-LI5-40)	ACL-L-30	DCL-L-30	BRD-K3-370L	RB-05P0-3.5 (RB-09P0-3.5)	FT-21301S-A	FT-21301SO-A
370LFP&K	ACL-LI-50 (ACL-LI5-50)	ACL-L-37	DCL-L-37	BRD-K3-370L	RB-06P0-3.5 (RB-11P2-3.5)	FT-21501S-A	FT-21501SO-A
450LFP&K	ACL-LI-60 (ACL-LI5-60)	ACL-L-45	DCL-L-45	BRD-K3-550L	RB-07P0-2.4 (RB-13P5-2.4)	FT-22001S-A	FT-22001SO-A
550LFP&K	ACL-LI-70 (ACL-LI5-70)	ACL-L-55	DCL-L-55	BRD-K3-550L	RB-08P5-2.4 (RB-16P5-2.4)	FT-22501S-A	FT-22501SO-A
750LFP	ACL-LI-100 (ACL-LI5-100)	ACL-L-75	DCL-L-75	BRD-K3-750L	RB-11P2-2.0 (RB-22P5-2.0)	FT-23001S-A	FT-23001SO-A

Model Selection				Option Specification									
SF&LF Type	HF Type	LFP&K Type	HFP&K Type	AC Reactor		DC Reactor		BRD Unit	Braking Resistor		Noise Filter		Feedback & Communication
				Input	Output	200V Class	400V Class		Low duty	Heavy duty	Input	Output	

2-4. Model List of the Inverter (HFP & K Type)

HFP & K Type Inverter Option List

Inverter Model	AC Reactor		DC Reactor	Regenerative Braking Unit (Low Duty)	Braking Resistor (Heavy duty)	Noise Filter	
	Input (Large Harmonic)	Output				Input	Output
037HFK	ACL-HI-5.5 (ACL-HI5-6.5)	ACL-H-3.7	DCL-H-3.7	Built-in	RB2 (RB2)	FT-40201S-A	FT-40201SO-A
055HFP&K	ACL-HI-7.5 (ACL-HI5-8)	ACL-H-5.5	DCL-H-5.5	Built-in	RB-01P2-70 (RB-01P8-70)	FT-40201S-A	FT-40201SO-A
075HFP&K	ACL-HI-11 (ACL-HI5-11)	ACL-H-7.5	DCL-H-7.5	Built-in	RB-01P2-50 (RB-02P4-50)	FT-40201S-A	FT-40201SO-A
110HFP&K	ACL-HI-15 (ACL-HI5-16)	ACL-H-11	DCL-H-11	Built-in	RB-02P0-50 (RB-03P3-50)	FT-40301S-A	FT-40301SO-A
150HFP&K	ACL-HI-22 (ACL-HI5-22)	ACL-H-15	DCL-H-15	BRD-VZ3-150H (BRD-EZ-150H)	RB-02P5-30 (RB-04P5-30)	FT-40401S-A	FT-40401SO-A
185HFP&K	ACL-HI-33 (ACL-HI5-33)	ACL-H-18.5	DCL-H-22	BRD-VZ3-220H (BRD-EZ-220H)	RB-03P0-20 (RB-05P6-20)	FT-40401S-A	FT-40401SO-A
220HFP&K	ACL-HI-33 (ACL-HI5-33)	ACL-H-22	DCL-H-22	BRD-VZ3-220H (BRD-EZ-220H)	RB-04P0-20 (RB-06P6-20)	FT-40501S-A	FT-40501SO-A
300HFP&K	ACL-HI-40 (ACL-HI5-40)	ACL-H-30	DCL-H-30	BRD-VZ3-370H	RB-05P0-12 (RB-09P0-12)	FT-40601S-A	FT-40601SO-A
370HFP&K	ACL-HI-50 (ACL-HI5-50)	ACL-H-37	DCL-H-37	BRD-VZ3-370H	RB-06P0-12 (RB-11P2-12)	FT-40801S-A	FT-40801SO-A
450HFP&K	ACL-HI-60 (ACL-HI5-60)	ACL-H-45	DCL-H-45	BRD-VZ3-550H	RB-07P0-8 (RB-13P5-8)	FT-41001S-A	FT-41001SO-A
550HFP&K	ACL-HI-70 (ACL-HI5-70)	ACL-H-55	DCL-H-55	BRD-VZ3-550H	RB-08P5-8 (RB-16P5-8)	FT-41201S-A	FT-41201SO-A
750HFP&K	ACL-HI-100 (ACL-HI5-100)	ACL-H-75	DCL-H-75	BRD-VZ3-750H	RB-11P2-6 (RB-22P5-6)	FT-41501S-A	FT-41501SO-A
900HFP&K	ACL-HI-120 (ACL-HI5-120)	ACL-H-90	DCL-H-90	BRD-VZ3-550H x 2EA	RB-11P2-6 (RB-22P5-6) x 2EA	FT-41801S-A	FT-41801SO-A
1100HFP&K	ACL-HI-150 (ACL-HI5-150)	ACL-H-110	DCL-H-110	BRD-VZ3-550H x 2EA	RB-11P2-6 (RB-22P5-6) x 2EA	FT-42201S-A	FT-42201SO-A
1320HFP&K	ACL-HI-180 (ACL-HI5-180)	ACL-H-132	DCL-H-132	BRD-VZ3-750H x 2EA	RB-11P2-6 (RB-22P5-6) x 2EA	FT-42601S-A	FT-42601SO-A
1600HFP&K	ACL-HI-220 (ACL-HI5-220)	ACL-H-160	DCL-H-160	BU160-4S	RB-22P2-3 (RB-45P0-3) x 2EA	FT-43501S-A	FT-43501SO-A
2000HFP	ACL-HI-300 (ACL-HI5-300)	ACL-H-200	DCL-H-200	BU220-4S	RB-22P2-3 (RB-45P0-3) x 2EA	FT-44401S-A	FT-44401SO-A
2200HFK	ACL-HI-300 (ACL-HI5-300)	ACL-H-200	DCL-H-200	BU220-4S	RB-22P2-3 (RB-45P0-3) x 2EA	FT-44401S-A	FT-44401SO-A
2800HFP	ACL-HI-400 (ACL-HI5-400)	ACL-H-280	DCL-H-280	BU160-4S x 2EA	RB-22P5-3 (RB-45P0-3) x 2EA	A3R4700-KL	Z3R4700-KL
3200HFP	ACL-HI-400 (ACL-HI5-400)	ACL-H-280	DCL-H-280	BU160-4S x 2EA	RB-22P5-3 (RB-45P0-3) x 2EA	A3R4700-KL	Z3R4700-KL
3800HFP	ACL-HI-500 (ACL-HI5-500)	ACL-H-375	DCL-H-380	BU220-4S x 2EA	RB-33P7-2 (RB-67P5-2) x 2EA	A3R41K0-KL	Z3R41K0-KL

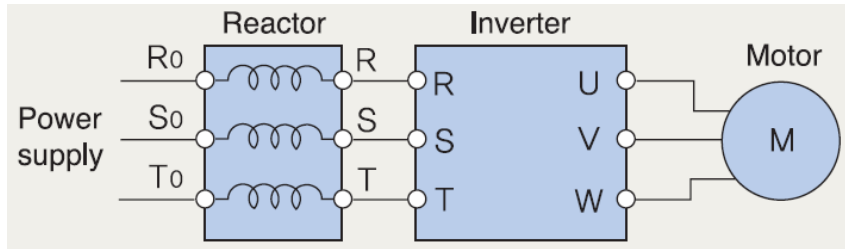
Model Selection				Option Specification									
SF&LF Type	HF Type	LFP&K Type	HFP&K Type	AC Reactor		DC Reactor		BRD Unit	Braking Resistor		Noise Filter		Feedback & Communication
				Input	Output	200V Class	400V Class		Low duty	Heavy duty	Input	Output	

3-1. Specification - AC Reactor (2/6)

Connection Diagram

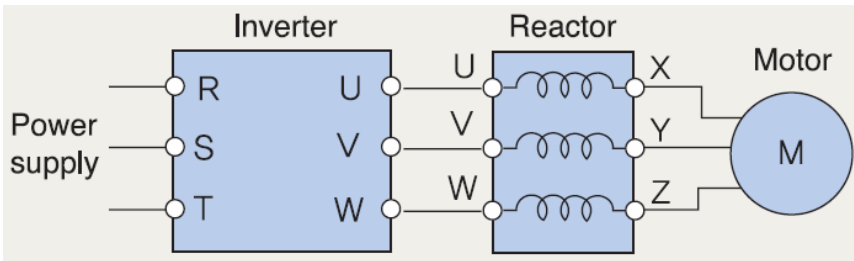
Input Side

Input side AC reactor connection diagram.



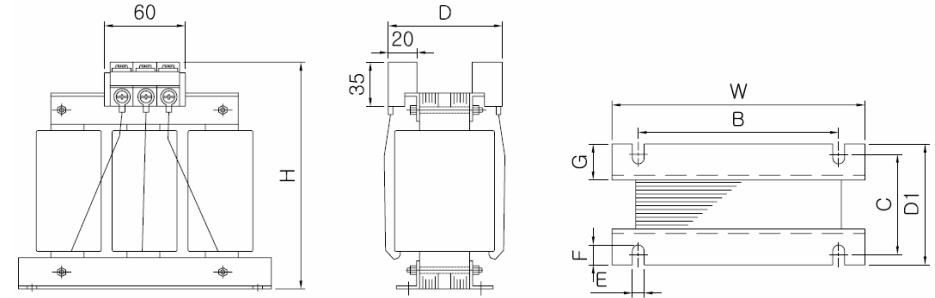
Output Side

Output side AC reactor connection diagram.

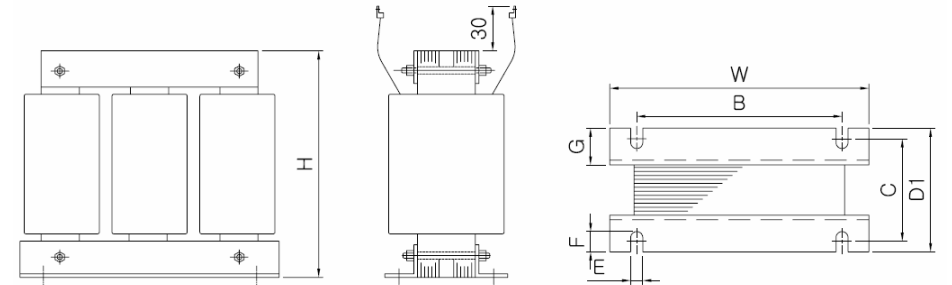


Outlines

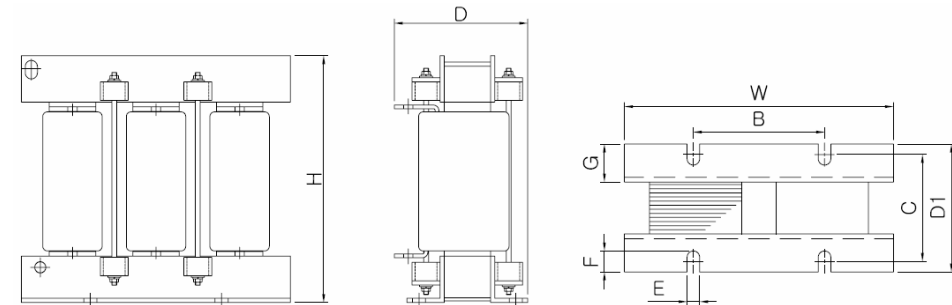
A-type



B-type



C-type



Model Selection				Option Specification									
SF&LF Type	HF Type	LFP&K Type	HFP&K Type	AC Reactor		DC Reactor		BRD Unit	Braking Resistor		Noise Filter		Feedback & Communication
				Input	Output	200V Class	400V Class		Low duty	Heavy duty	Input	Output	

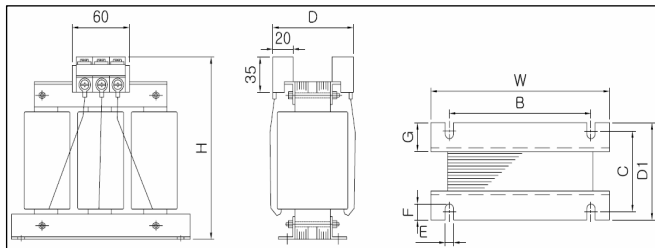
3-1. Specification - AC Reactor (3/6)

Electrical Specification, Dimension and Weight Input Side (SF, LF, LFP&K Type)

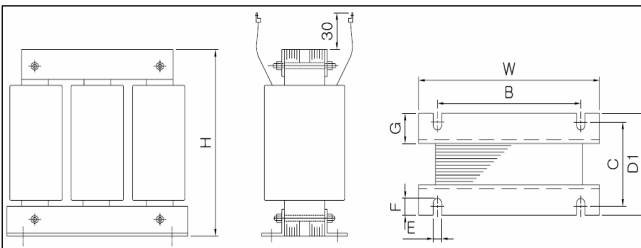
AC Reactor Model (Large Harmonic)	Inverter Model	Current [A]	Inductance [mH]	Dimension								Weight [kg]	Remarks
				H	W	B	C	D	D1	G	ExF		
ACL-LI-1.5 (ACL-LI5-1.5)	004SF, 004-007LF	5.5	1.16 (2.91)	95 (130)	100 (155)	65 (125)	60 (72)	95 (110)	75 (92)	30 (33.5)	5Φ	1.5 (2.5)	A (A)
ACL-LI-2.5 (ACL-LI5-2.5)	007SF, 015LF	8.2	0.78 (1.95)	130 (130)	155 (155)	125 (125)	72 (72)	110 (110)	92 (92)	30 (33.5)	7x20	2.5 (3.5)	A (A)
ACL-LI-3.5 (ACL-LI5-3.5)	015SF, 022LF	11.5	0.56 (1.39)	130 (145)	155 (155)	125 (125)	72 (75)	110 (120)	92 (95)	30 (30)	7x20	2.5 (4.5)	A (A)
ACL-LI-5.5 (ACL-LI5-5.5)	037LF, 037LFP&K	18	0.36 (0.89)	130 (145)	155 (155)	125 (125)	72 (75)	110 (120)	92 (95)	30 (30)	7x20	3 (5.5)	A (A)
ACL-LI-7.5 (ACL-LI5-7.5)	055LF, 055LFP&K	26.5	0.24 (0.60)	130 (145)	155 (155)	65 (125)	82 (75)	120 (120)	102 (95)	30 (30)	7x20	4 (6)	A (A)
ACL-LI-11 (ACL-LI5-11)	075LF, 075LFP&K	35	0.18 (0.46)	145 (145)	155 (155)	125 (125)	75 (85)	120 (125)	95 (105)	30 (30)	7x20	6 (7.5)	A (A)
ACL-LI-15 (ACL-LI5-15)	110LF, 110LFP&K	50.5	0.13 (0.32)	145 (150)	155 (180)	125 (155)	75 (80)	120 (-)	95 (100)	30 (30)	7x20	6 (9)	A (B)
ACL-LI-22 (ACL-LI5-22)	150LF, 150LFP&K	70.5	0.09 (0.23)	190 (150)	240 (180)	125 (155)	93 (105)	145 (-)	113 (125)	30 (30)	9x20	15 (14)	C (B)
ACL-LI-33 (ACL-LI5-33)	185~220LF, 185~220LFP&K	105	0.06 (0.15)	220 (150)	240 (180)	125 (155)	93 (105)	145 (-)	113 (125)	30 (30)	9x20	16 (16)	C (B)
ACL-LI-40 (ACL-LI5-40)	300LF, 300LFP&K	133	0.05 (0.12)	240 (210)	240 (270)	100 (100)	98 (93)	150 (150)	118 (113)	30 (30)	9x20	18 (18)	C (C)
ACL-LI-50 (ACL-LI5-50)	370LF, 370LFP&K	160	0.04 (0.10)	210 (210)	240 (280)	100 (100)	98 (108)	150 (165)	118 (128)	30 (30)	9x20	20 (24)	C (C)
ACL-LI-60 (ACL-LI5-60)	450LF, 450LFP&K	200	0.03 (0.08)	210 (230)	240 (280)	100 (100)	98 (108)	150 (165)	118 (128)	30 (30)	9x20	22 (28)	C (C)
ACL-LI-70 (ACL-LI5-70)	550LF, 550LFP&K	242	0.03 (0.07)	230 (240)	240 (290)	125 (125)	103 (113)	155 (170)	123 (133)	30 (30)	9x20	25 (33)	C (C)
ACL-LI-100 (ACL-LI5-100)	750LFP&K	270	0.03 (0.06)	230 (240)	240 (290)	125 (125)	103 (113)	155 (170)	123 (133)	30 (30)	9x20	25 (35)	C (C)

[Note] Please use the ACL-LI5 type reactor when the input harmonic is large.

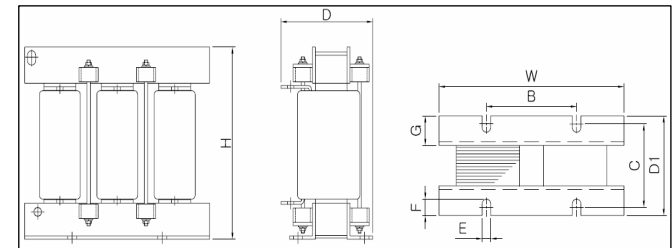
A-Type



B-Type



C-Type



Model Selection				Option Specification									
SF&LF Type	HF Type	LFP&K Type	HFP&K Type	AC Reactor		DC Reactor		BRD Unit	Braking Resistor		Noise Filter		Feedback & Communication
				Input	Output	200V Class	400V Class		Low duty	Heavy duty	Input	Output	

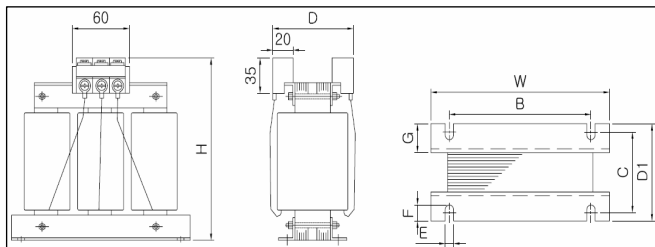
3-1. Specification - AC Reactor (4/6)

Electrical Specification, Dimension and Weight Input Side (HF, HFP&K Type)

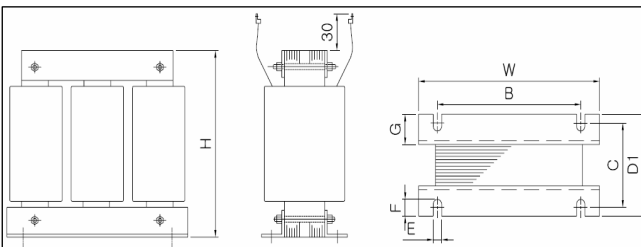
AC Reactor Model (Large Harmonic)	Inverter Model	Current [A]	Inductance [mH]	Dimension								Weight [kg]	Remarks
				H	W	B	C	D	D1	G	ExF		
ACL-HI-1.5 (ACL-HI5-1.5)	004~007HF	4	3.2 (8)	125 (140)	150 (150)	120 (120)	70 (70)	105 (110)	90 (95)	33.5 (30)	7x20	1.5 (3.5)	A (A)
ACL-HI-2.5 (ACL-HI5-2.5)	015HF	5	2.5 (6.5)	125 (140)	150 (150)	120 (120)	70 (70)	105 (110)	90 (95)	33.5 (30)	7x20	2 (4)	A (A)
ACL-HI-3.5 (ACL-HI5-3.5)	022HF	8	1.6 (4)	125 (140)	150 (150)	120 (120)	70 (70)	105 (110)	90 (95)	33.5 (30)	7x20	2.5 (4.5)	A (A)
ACL-HI-5.5 (ACL-HI5-6.5)	037HF, 037HFK	9	1.42 (3.56)	130 (145)	155 (155)	125 (125)	72 (75)	110 (115)	92 (95)	33.5 (30)	7x20	3 (5)	A (A)
ACL-HI-7.5 (ACL-HI5-8)	055HF, 055HFP&K	14.5	0.88 (2.21)	130 (145)	155 (155)	125 (125)	72 (75)	110 (115)	92 (95)	33.5 (30)	7x20	3.5 (5.5)	A (A)
ACL-HI-11 (ACL-HI5-11)	075HF, 075HFP&K	17.5	0.73 (1.83)	145 (145)	155 (155)	125 (125)	75 (85)	120 (125)	95 (105)	30 (30)	7x20	4.5 (7)	A (A)
ACL-HI-15 (ACL-HI5-16)	110HF, 110HFP&K	25	0.51 (1.28)	145 (145)	155 (155)	125 (125)	75 (85)	120 (125)	95 (105)	30 (30)	7x20	5.5 (7.5)	A (A)
ACL-HI-22 (ACL-HI5-22)	150HF, 150HFP&K	35	0.37 (0.91)	145 (170)	155 (180)	125 (155)	85 (80)	130 (120)	105 (100)	30 (30)	7x20	6.5 (10)	A (A)
ACL-HI-33 (ACL-HI5-33)	185~220HF, 185~220HFP&K	52	0.25 (0.62)	150 (150)	180 (180)	155 (155)	80 (100)	- (-)	100 (120)	30 (30)	7x20	8.5 (14)	B (B)
ACL-HI-40 (ACL-HI5-40)	300HF, 300HFP&K	63	0.2 (0.51)	150 (180)	180 (240)	155 (100)	80 (103)	- (165)	100 (123)	30 (30)	7x20	9.5 (20)	B (C)
ACL-HI-50 (ACL-HI5-50)	370HF, 370HFP&K	80	0.16 (0.4)	200 (210)	240 (280)	100 (100)	98 (108)	150 (165)	118 (128)	30 (30)	9x20	17 (22)	C (C)
ACL-HI-60 (ACL-HI5-60)	450HF, 450HFP&K	99	0.13 (0.32)	210 (220)	240 (280)	100 (100)	98 (98)	150 (165)	118 (118)	30 (30)	9x20	18 (23)	C (C)
ACL-HI-70 (ACL-HI5-70)	550HF, 550HFP&K	120	0.11 (0.27)	230 (230)	240 (290)	125 (125)	113 (113)	160 (170)	133 (133)	35 (35)	9x20	22 (28)	C (C)
ACL-HI-100 (ACL-HI5-100)	750HF, 750HFP&K	165	0.08 (0.19)	230 (260)	240 (280)	125 (125)	113 (113)	160 (175)	133 (133)	35 (30)	9x20	24 (33)	C (C)
ACL-HI-120 (ACL-HI5-120)	900HF, 900HFP&K	193	0.07 (0.17)	230 (230)	240 (290)	125 (125)	123 (123)	170 (185)	143 (143)	40 (30)	9x20	25 (37)	C (C)
ACL-HI-150 (ACL-HI5-150)	1100HF, 1100HFP&K	235	0.05 (0.14)	230 (250)	240 (320)	125 (125)	143 (143)	180 (195)	163 (163)	50 (40)	9x20	26 (45)	C (C)
ACL-HI-180 (ACL-HI5-180)	1320HF, 1320HFP&K	285	0.04 (0.11)	270 (270)	290 (320)	125 (125)	143 (143)	190 (200)	163 (163)	50 (45)	9x20	33 (48)	C (C)
ACL-HI-220 (ACL-HI5-220)	1600HF, 1600HFP&K	358	0.04 (0.09)	300 (320)	290 (350)	125 (125)	133 (133)	190 (200)	153 (153)	40 (40)	11x20	40 (60)	C (C)
ACL-HI-300 (ACL-HI5-300)	2200HF, 2000HFP, 2200HFK	494	0.03 (0.06)	300 (300)	300 (350)	125 (125)	138 (138)	200 (205)	158 (158)	40 (40)	11x20	50 (67)	C (C)
ACL-HI-400 (ACL-HI5-400)	2800HF, 2800~3200HFP	578	0.02 (0.06)	300 (310)	300 (360)	125 (125)	158 (166)	215 (250)	178 (186)	50 (35)	11x20	58 (90)	C (C)
ACL-HI-500 (ACL-HI5-500)	3500HF, 3800HFP	720	0.018 (0.044)	300 (380)	300 (420)	125 (125)	158 (166)	215 (250)	178 (186)	50 (45)	11x20	75 (120)	C (C)

[Note] Please use the ACL-HI5 type reactor when the input harmonic is large.

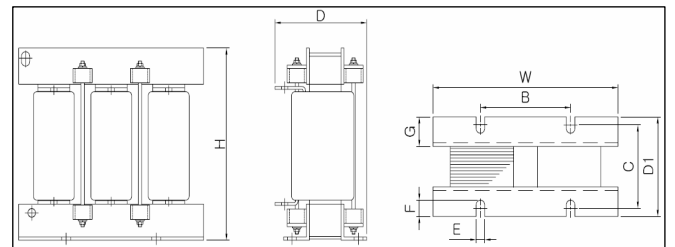
A-Type



B-Type



C-Type



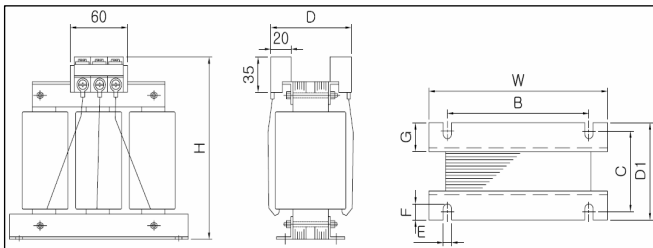
Model Selection				Option Specification									
SF&LF Type	HF Type	LFP&K Type	HFP&K Type	AC Reactor		DC Reactor		BRD Unit	Braking Resistor		Noise Filter		Feedback & Communication
				Input	Output	200V Class	400V Class		Low duty	Heavy duty	Input	Output	

3-1. Specification - AC Reactor (5/6)

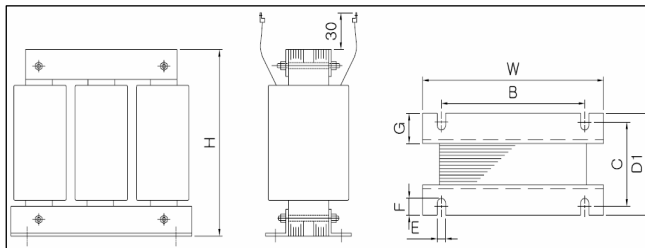
Electrical Specification, Dimension and Weight Output Side (SF, LF, LFP&K Type)

AC Reactor Model	Inverter Model	Current [A]	Inductance [mH]	Dimension								Weight [kg]	Remarks
				H	W	B	C	D	D1	G	ExF		
ACL-L-0.4	004SF, 004LF	3	1.5	130	155	125	72	105	92	33.5	7x20	2.5	A
ACL-L-0.75	007SF, 007LF	4.2	1.2	130	155	125	72	105	92	33.5	7x20	2.5	A
ACL-L-1.5	015SF, 015LF	7.5	0.67	130	155	125	72	105	92	33.5	7x20	3	A
ACL-L-2.2	022SF, 022LF	10.5	0.41	130	155	125	72	105	92	33.5	7x20	3	A
ACL-L-3.7	037LF, 037LFK	16	0.25	130	155	125	72	105	92	33.5	7x20	3.5	A
ACL-L-5.5	055LF, 055LFP&K	22	0.18	145	155	125	85	125	105	30	7x20	5	A
ACL-L-7.5	075LF, 075LFP&K	32	0.12	145	155	125	85	125	105	30	7x20	6	A
ACL-L-11	110LF, 110LFP&K	43	0.09	145	155	125	85	125	105	30	7x20	7	A
ACL-L-15	150LF, 150LFP&K	64	0.06	150	180	155	80	-	100	30	7x20	7.5	B
ACL-L-18.5	185LF, 185LFP&K	80	0.05	150	180	155	80	-	100	30	7x20	8	B
ACL-L-22	220LF, 220LFP&K	95	0.042	150	180	155	80	-	100	30	7x20	8	B
ACL-L-30	300LF, 300LFP&K	115	0.035	150	180	155	80	-	100	30	7x20	8.5	B
ACL-L-37	370LF, 370LFP&K	144	0.028	190	260	155	93	150	113	30	9x20	17	C
ACL-L-45	450LF, 450LFP&K	173	0.023	200	260	155	93	150	113	30	9x20	18	C
ACL-L-55	550LF, 550LFP&K	202	0.02	220	260	155	93	150	113	30	9x20	20	C
ACL-L-75	750LFP	202	0.02	220	260	155	93	150	113	30	9x20	20	C

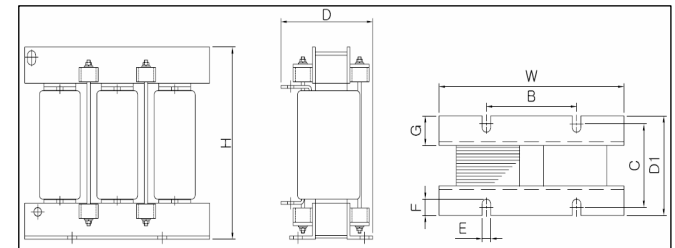
A-Type



B-Type



C-Type

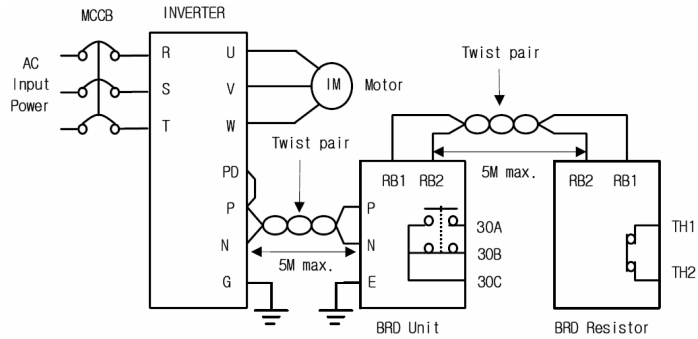


Model Selection				Option Specification									
SF&LF Type	HF Type	LFP&K Type	HFP&K Type	AC Reactor		DC Reactor		BRD Unit	Braking Resistor		Noise Filter		Feedback & Communication
				Input	Output	200V Class	400V Class		Low duty	Heavy duty	Input	Output	

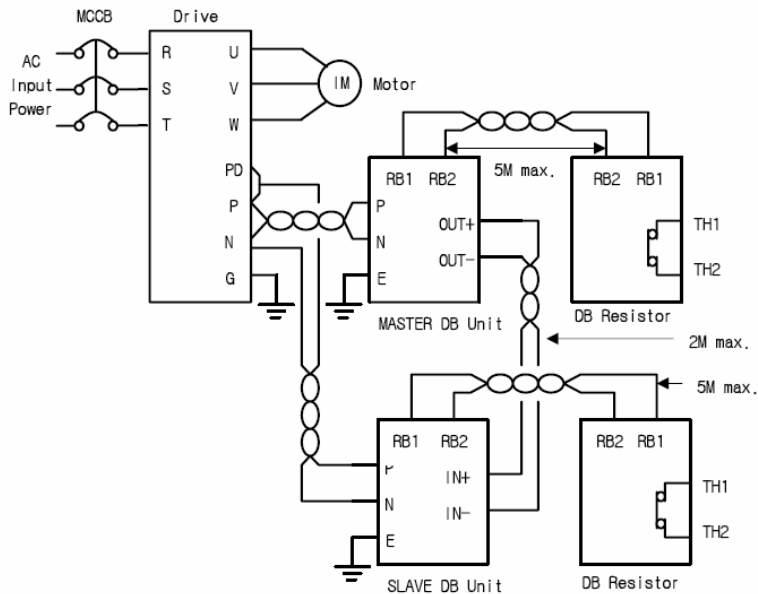
3-3. Specification - Regenerative Braking Unit (2/3)

Connection Diagram

Single Operation

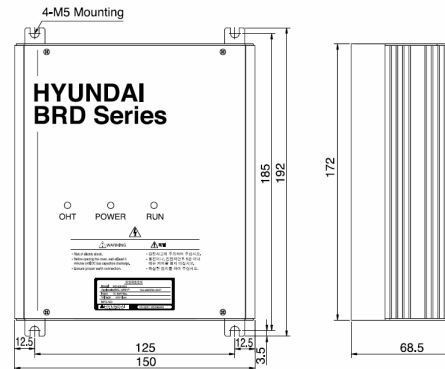


Master/Slave Operation

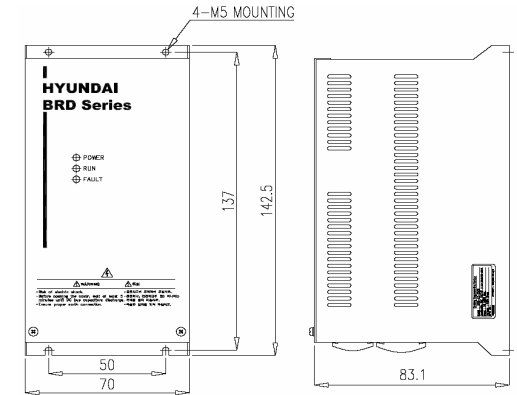


Outlines

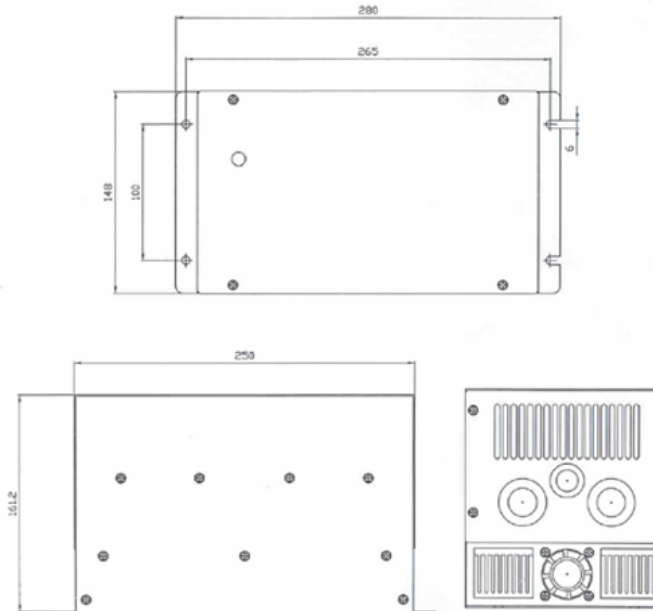
A-Type



B-Type



C-Type

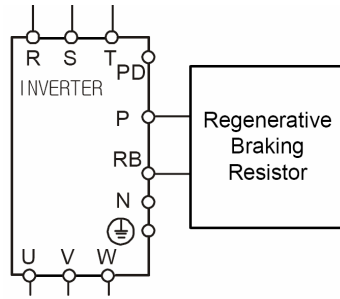


Model Selection				Option Specification									
SF&LF Type	HF Type	LFP&K Type	HFP&K Type	AC Reactor		DC Reactor		BRD Unit	Braking Resistor		Noise Filter		Feedback & Communication
				Input	Output	200V Class	400V Class		Low duty	Heavy duty	Input	Output	

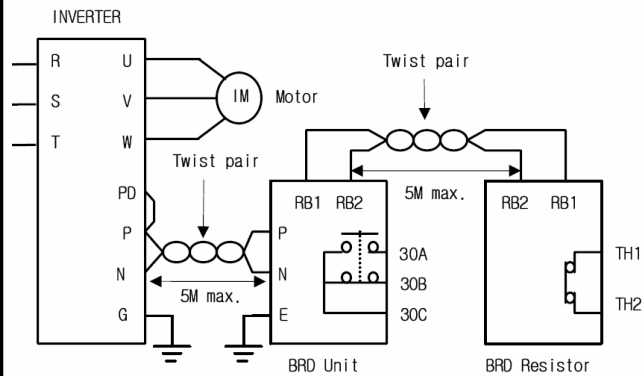
3-4. Specification - Regenerative Braking Resistor (2/6)

Connection Diagram

Without BRD Unit

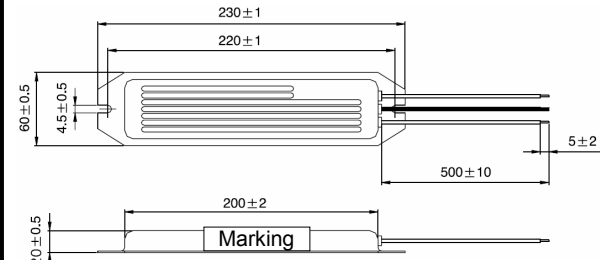


With BRD Unit

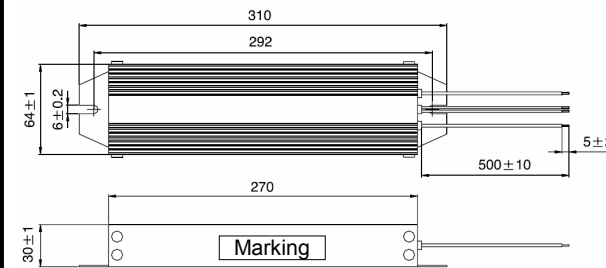


Outlines

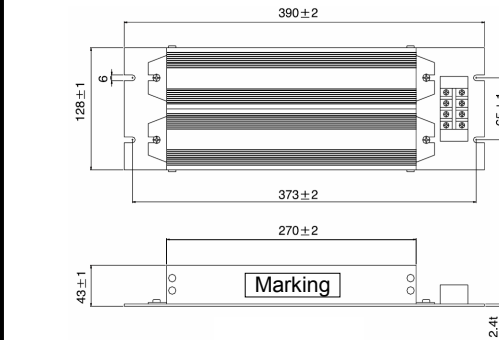
A-Type



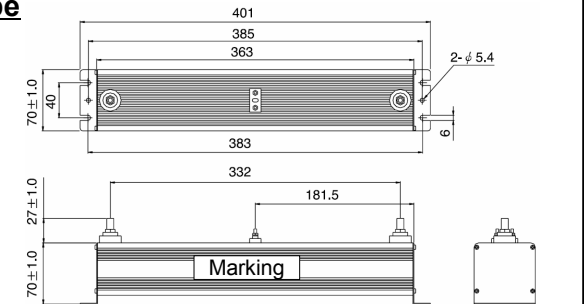
B-Type



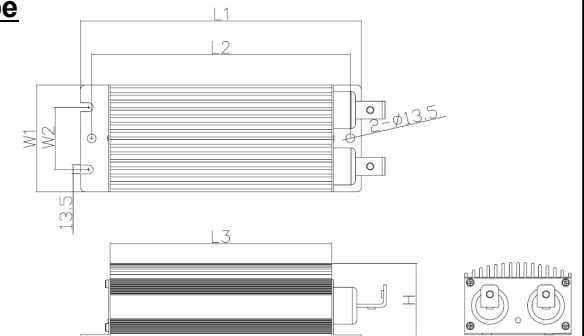
C-Type



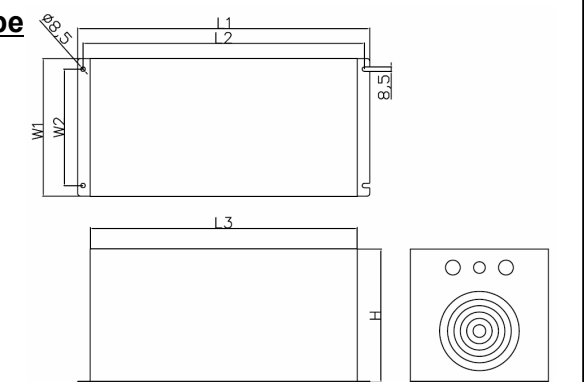
D-Type



E-Type



F-Type

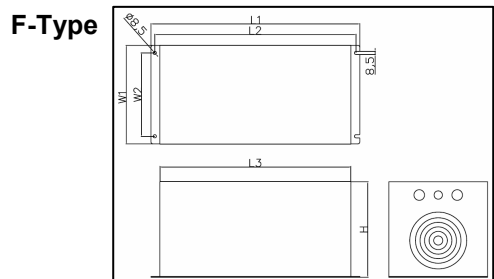
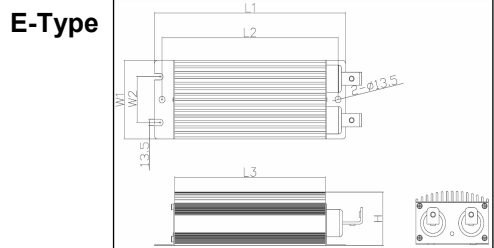
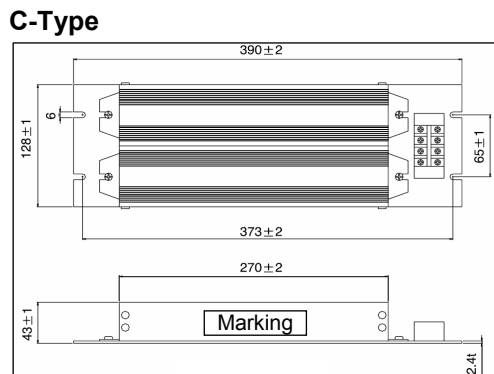
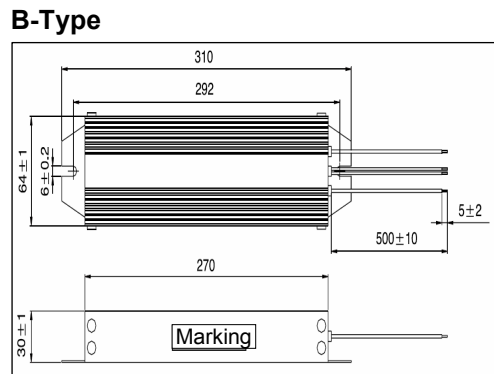
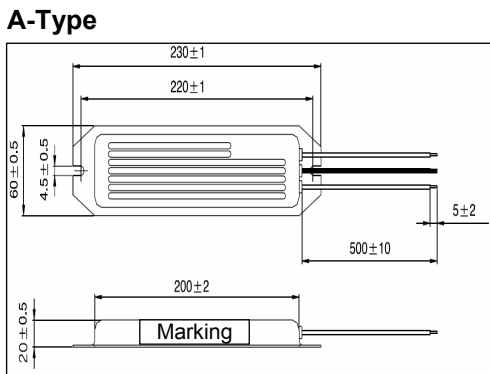


Model Selection				Option Specification									
SF&LF Type	HF Type	LFP&K Type	HFP&K Type	AC Reactor		DC Reactor		BRD Unit	Braking Resistor		Noise Filter		Feedback & Communication
				Input	Output	200V Class	400V Class		Low duty	Heavy duty	Input	Output	

3-4. Specification - Regenerative Braking Resistor (3/6)

Electrical Specification, Dimension and Weight Low Duty Load (SF, LF, LFP&K Type)

Braking Resistor Name	Inverter Model Name	Dimensions (mm)						Specification		Remarks
		L1	L2	L3	W1	W2	H	Capacity [kW]	Resistance [Ω]	
RB0	004~022SF, 004~015LF	Refer to the picture (A-Type)						0.2	50	A
RB1	022LF	Refer to the picture (B-Type)						0.3	50	B
RB2	037LF, 037LFP&K	Refer to the picture (C-Type)						0.6	35	C
RB-01P0-17	055LF, 055LFP&K	340	325	302	72	41	49	1.0	17.0	E
RB-01P0-17	075LF, 075LFP&K	340	325	302	72	41	49	1.0	17.0	E
RB-01P0-17	110LF, 110LFP&K	340	325	302	72	41	49	1.0	17.0	E
RB-02P5-8.7	150LF, 150LFP&K	550	530	503	180	140	126	2.5	8.7	F
RB-03P0-6	185LF, 185LFP&K	550	530	503	260	220	126	3.0	6.0	F
RB-04P0-6	220LF, 220LFP&K	550	530	503	180	140	182	4.0	6.0	F
RB-05P0-3.5	300LF, 300LFP&K	550	530	503	180	140	182	5.0	3.5	F
RB-06P0-3.5	370LF, 370LFP&K	550	530	503	260	220	182	6.0	3.5	F
RB-07P0-2.4	450LF, 450LFP&K	550	530	503	260	220	182	7.0	2.4	F
RB-08P5-2.4	550LF, 550LFP&K	550	530	503	260	220	252	8.5	2.4	F
RB-11P2-2.0	750LFP	550	530	503	260	220	322	11.2	2.0	F



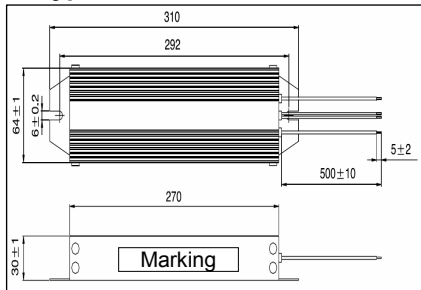
Model Selection				Option Specification									
SF&LF Type	HF Type	LFP&K Type	HFP&K Type	AC Reactor		DC Reactor		BRD Unit	Braking Resistor		Noise Filter		Feedback & Communication
				Input	Output	200V Class	400V Class		Low duty	Heavy duty	Input	Output	

3-4. Specification - Regenerative Braking Resistor (4/6)

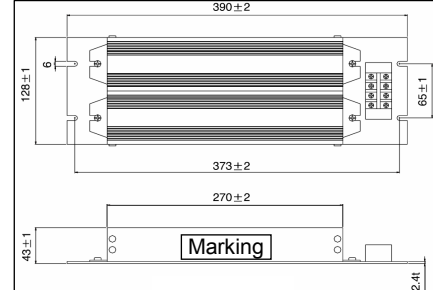
Electrical Specification, Dimension and Weight Low Duty Load (HF, HFP&K Type)

Braking Resistor Name	Inverter Model Name	Dimensions (mm)						Specification		Remarks
		L1	L2	L3	W1	W2	H	Capacity [kW]	Resistance [Ω]	
RB1	004~015HF	Refer to the picture (B-Type)						0.3	180	B
RB1	022HF	Refer to the picture (B-Type)						0.3	100	B
RB2	037HF, 037HFK	Refer to the picture (C-Type)						0.6	100	C
RB-01P2-70	055HF, 055HFP&K	400	385	362	72	41	49	1.2	70.0	E
RB-01P2-50	075HF, 075HFP&K	400	385	362	72	41	49	1.2	50.0	E
RB-02P0-50	110HF, 110HFP&K	510	495	472	72	41	49	2.0	50.0	E
RB-02P5-30	150HF, 150HFP&K	550	530	503	180	140	126	2.5	30.0	F
RB-03P0-20	185HF, 185HFP&K	550	530	503	260	220	126	3.0	20.0	F
RB-04P0-20	220HF, 220HFP&K	550	530	503	180	140	182	4.0	20.0	F
RB-05P0-12	300HF, 300HFP&K	550	530	503	180	140	182	5.0	12.0	F
RB-06P0-12	370HF, 370HFP&K	550	530	503	260	220	182	6.0	12.0	F
RB-07P0-8	450HF, 450HFP&K	550	530	503	260	220	182	7.0	8.0	F
RB-08P5-8	550HF, 550HFP&K	550	530	503	260	220	252	8.5	8.0	F
RB-11P2-6	750HF, 750HFP&K	550	530	503	260	220	322	11.2	6.0	F
RB-11P2-6 x 2EA	900HF, 900HFP&K	550	530	503	260	220	322	11.2	6.0	F
RB-11P2-6 x 2EA	1100HF, 1100HFP&K	550	530	503	260	220	322	11.2	6.0	F
RB-11P2-6 x 2EA	1320HF, 1320HFP&K	550	530	503	260	220	322	11.2	6.0	F
RB-22P2-3 x 2EA	1600HF, 1600HFP&K	550	530	503	260	220	322	22.2	3.0	F
RB-22P2-3 x 2EA	2200HF, 2000HFP, 2200HFK	550	530	503	260	220	322	22.2	3.0	F
RB-22P5-3 x 2EA	2800HF, 2800~3200HFP	550	530	503	260	220	322	22.5	3.0	F
RB-33P7-2 x 2EA	3500HF, 3800HFP	550	530	503	260	220	392	33.7	2.0	F

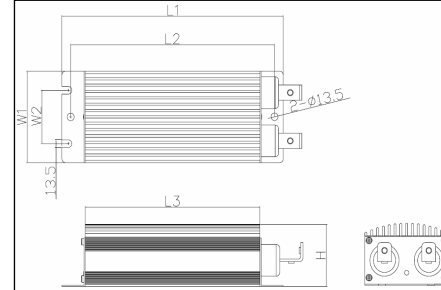
B-Type



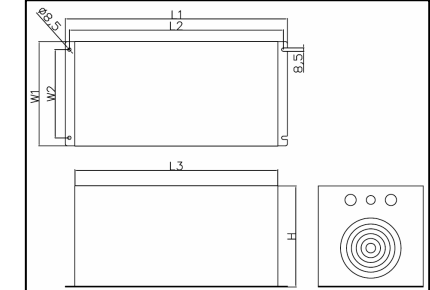
C-Type



E-Type



F-Type

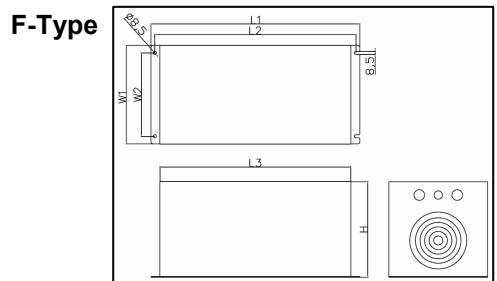
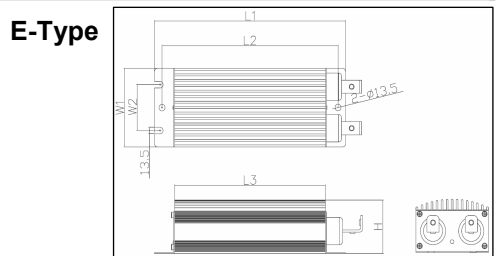
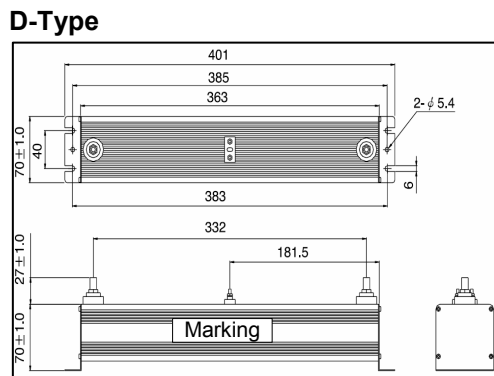
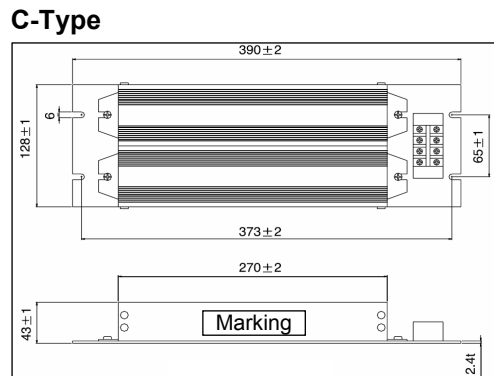
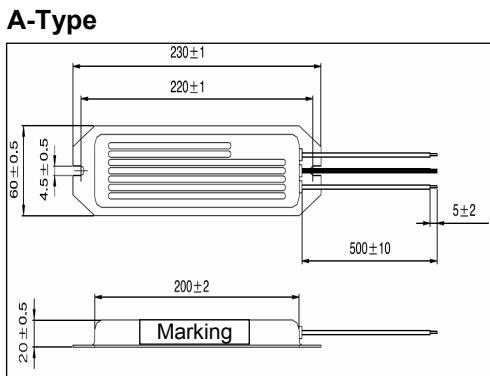


Model Selection				Option Specification									
SF&LF Type	HF Type	LFP&K Type	HFP&K Type	AC Reactor		DC Reactor		BRD Unit	Braking Resistor		Noise Filter		Feedback & Communication
				Input	Output	200V Class	400V Class		Low duty	Heavy duty	Input	Output	

3-4. Specification - Regenerative Braking Resistor (5/6)

Electrical Specification, Dimension and Weight Heavy Duty Load (SF, LF, LFP&K Type)

Braking Resistor Name	Inverter Model Name	Dimensions (mm)						Specification		Remarks
		L1	L2	L3	W1	W2	H	Capacity [kW]	Resistance [Ω]	
RB0	004~022SF, 004~015LF	Refer to the picture (A-Type)						0.2	50	A
RB2	022LF	Refer to the picture (C-Type)						0.6	35	C
RB3	037LF, 037LFP&K	Refer to the picture (D-Type)						1.2	35	D
RB-01P2-17	055LF, 055LFP&K	400	385	362	72	41	49	1.2	17	E
RB-01P2-17	075LF, 075LFP&K	400	385	362	72	41	49	1.2	17	E
RB-01P2-17	110LF, 110LFP&K	400	385	362	72	41	49	1.2	17	E
RB-04P5-8.7	150LF, 150LFP&K	550	530	503	180	140	182	4.5	8.7	F
RB-05P6-6	185LF, 185LFP&K	550	530	503	180	140	182	5.6	6.0	F
RB-06P6-6	220LF, 220LFP&K	550	530	503	260	220	182	6.6	6.0	F
RB-09P0-3.5	300LF, 300LFP&K	550	530	503	260	220	252	9.0	3.5	F
RB-11P2-3.5	370LF, 370LFP&K	550	530	503	260	220	322	11.2	3.5	F
RB-13P5-2.4	450LF, 450LFP&K	550	530	503	260	220	322	13.5	2.4	F
RB-16P5-2.4	550LF, 550LFP&K	550	530	503	260	220	322	16.5	2.4	F
RB-22P5-2.0	750LFP	550	530	503	260	220	322	22.5	2.0	F

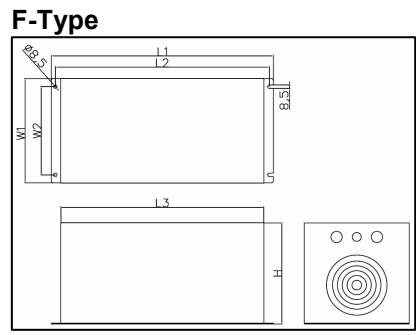
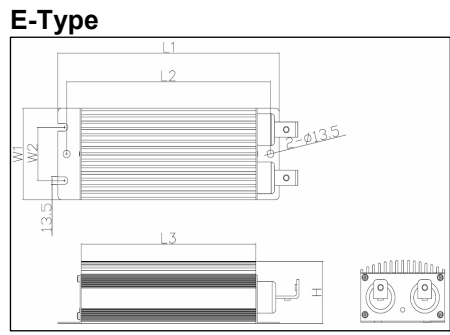
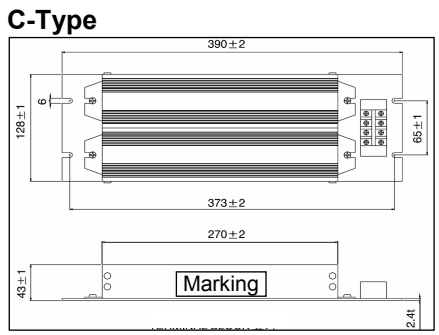
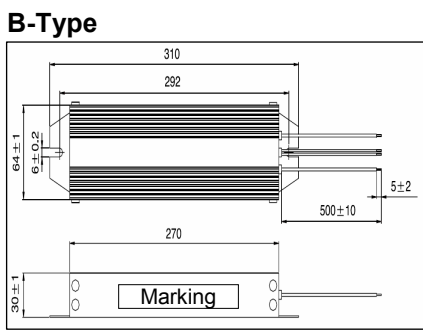


Model Selection				Option Specification									
SF&LF Type	HF Type	LFP&K Type	HFP&K Type	AC Reactor		DC Reactor		BRD Unit	Braking Resistor		Noise Filter		Feedback & Communication
				Input	Output	200V Class	400V Class		Low duty	Heavy duty	Input	Output	

3-4. Specification - Regenerative Braking Resistor (6/6)

Electrical Specification, Dimension and Weight Heavy Duty Load (HF, HFP&K Type)

Braking Resistor Name	Inverter Model Name	Dimensions (mm)						Specification		Remarks
		L1	L2	L3	W1	W2	H	Capacity [kW]	Resistance [Ω]	
RB1	004~015HF	Refer to the picture (B-Type)						0.3	180	B
RB2	022HF	Refer to the picture (C-Type)						0.6	100	C
RB2	037HF, 037HFK	Refer to the picture (C-Type)						0.6	100	C
RB-01P8-70	055HF, 055HFP&K	510	495	472	72	41	49	1.8	70	E
RB-02P4-50	075HF, 075HFP&K	550	530	503	180	140	126	2.4	50	F
RB-03P3-50	110HF, 110HFP&K	550	530	503	260	220	126	3.3	50	F
RB-04P5-30	150HF, 150HFP&K	550	530	503	180	140	182	4.5	30	F
RB-05P6-20	185HF, 185HFP&K	550	530	503	180	140	182	5.6	20	F
RB-06P6-20	220HF, 220HFP&K	550	530	503	260	220	182	6.6	20	F
RB-09P0-12	300HF, 300HFP&K	550	530	503	260	220	252	9.0	12	F
RB-11P2-12	370HF, 370HFP&K	550	530	503	260	220	322	11.2	12	F
RB-13P5-8	450HF, 450HFP&K	550	530	503	260	220	322	13.5	8.0	F
RB-16P5-8	550HF, 550HFP&K	550	530	503	260	220	322	16.5	8.0	F
RB-22P5-6	750HF, 750HFP&K	550	530	503	260	220	322	22.5	6.0	F
RB-22P5-6 x 2EA	900HF, 900HFP&K	550	530	503	260	220	322	22.5	6.0	F
RB-22P5-6 x 2EA	1100HF, 1100HFP&K	550	530	503	260	220	322	22.5	6.0	F
RB-22P5-6 x 2EA	1320HF, 1320HFP&K	550	530	503	260	220	322	22.5	6.0	F
RB-45P0-3 x 2EA	1600HF, 1600HFP&K	550	530	503	260	220	392	45.0	3.0	F
RB-45P0-3 x 2EA	2200HF, 2000HFP, 2200HFK	550	530	503	260	220	392	45.0	3.0	F
RB-45P0-3 x 2EA	2800HF, 2800~3200HFP	550	530	503	260	220	392	45.0	3.0	F
RB-67P5-2 x 2EA	3500HF, 3800HFP	550	530	503	260	220	392	67.5	2.0	F



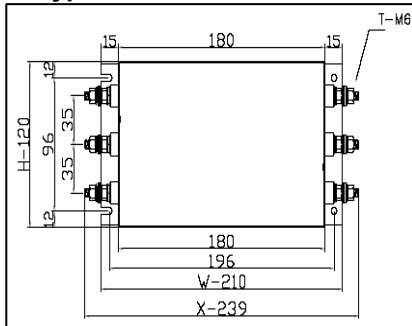
Model Selection				Option Specification									
SF&LF Type	HF Type	LFP&K Type	HFP&K Type	AC Reactor		DC Reactor		BRD Unit	Braking Resistor		Noise Filter		Feedback & Communication
				Input	Output	200V Class	400V Class		Low duty	Heavy duty	Input	Output	

3-5. Specification - Noise Filter (2/5)

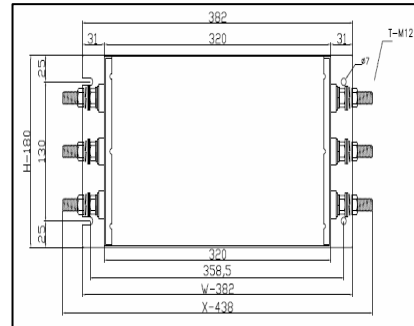
Electrical Specification, Dimension and Weight Input Side (SF, LF, LFP&K Type)

Noise Filter Name	Inverter Model Name	Dimensions (mm)			Specification			Remarks
		(W x H x D) * X	G	T	Inverter Current [A]	Voltage [V]	Filter Current [A]	
FT-20301S-A	004~055SF/LF, 037~055LFP&K	210 X 120 X 70 * 239	M6	M6	24	250	30	A
FT-20401S-A	075LF, 075LFP&K	210 X 120 X 70 * 239	M6	M6	32	250	40	A
FT-20501S-A	110LF, 110LFP&K	210 X 120 X 70 * 239	M6	M6	46	250	50	A
FT-20701S-A	150LF, 150LFP&K	280 X 160 X 100 * 348	M6	M12	64	250	70	B
FT-20801S-A	185LF, 185LFP&K	280 X 160 X 100 * 348	M6	M12	76	250	80	B
FT-21001S-A	220LF, 220LFP&K	382 X 180 X 125 * 438	M8	M12	95	250	100	C
FT-21301S-A	300LF, 300LFP&K	382 X 180 X 125 * 438	M8	M12	121	250	130	C
FT-21501S-A	370LF, 370LFP&K	430 X 210 X 150 * 461	M10	M10	145	250	150	D
FT-22001S-A	450LF, 450LFP&K	430 X 210 X 150 * 461	M10	M10	182	250	200	D
FT-22501S-A	550LF, 550LFP&K	430 X 210 X 150 * 461	M10	M10	220	250	250	D
FT-22501S-A	750LFP	430 X 210 X 150 * 461	M10	M10	220	250	250	D

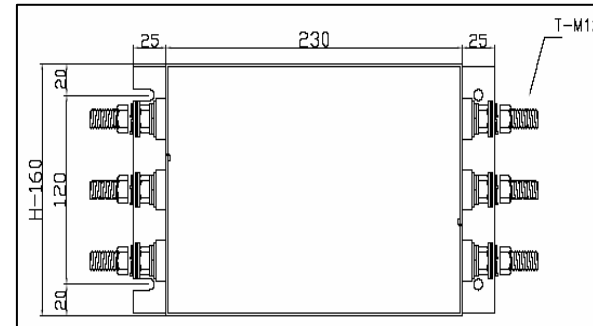
A-Type



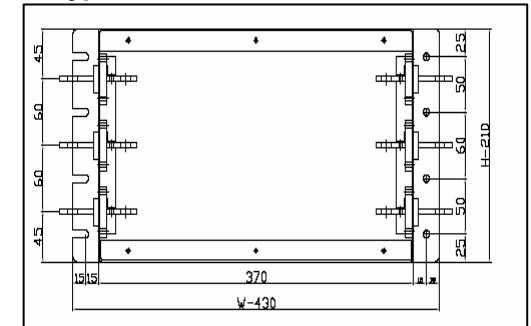
B-Type



C-Type



D-Type



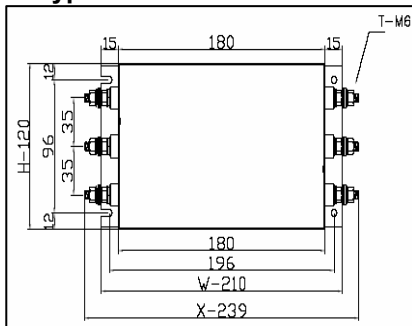
Model Selection				Option Specification									
SF&LF Type	HF Type	LFP&K Type	HFP&K Type	AC Reactor		DC Reactor		BRD Unit	Braking Resistor		Noise Filter		Feedback & Communication
				Input	Output	200V Class	400V Class		Low duty	Heavy duty	Input	Output	

3-5. Specification - Noise Filter (3/5)

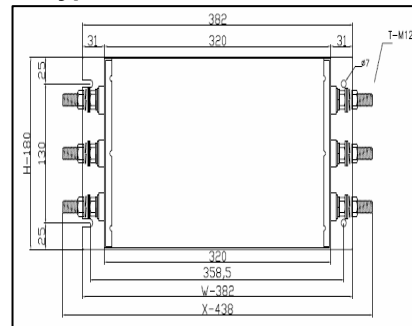
Electrical Specification, Dimension and Weight Input Side (HF, HFP&K Type)

Noise Filter Name	Inverter Model Name	Dimensions (mm)			Specification			Remarks
		(W x H x D) * X	G	T	Inverter Current [A]	Voltage [V]	Filter Current [A]	
FT-40201S-A	004~055HF, 037~055HFP&K	210 X 120 X 70 * 239	M6	M6	12	450	20	A
FT-40201S-A	075HF, 075HFP&K	210 X 120 X 70 * 239	M6	M6	16	450	20	A
FT-40301S-A	110HF, 110HFP&K	210 X 120 X 70 * 239	M6	M6	23	450	30	A
FT-40401S-A	150HF, 150HFP&K	210 X 120 X 70 * 239	M6	M6	32	450	40	A
FT-40401S-A	185HF, 185HFP&K	210 X 120 X 70 * 239	M6	M6	38	450	40	A
FT-40501S-A	220HF, 220HFP&K	210 X 120 X 70 * 239	M6	M6	48	450	50	A
FT-40601S-A	300HF, 300HFP&K	210 X 120 X 70 * 239	M6	M6	58	440	60	A
FT-40801S-A	370HF, 370HFP&K	280 X 160 X 100 * 348	M6	M12	75	440	80	B
FT-41001S-A	450HF, 450HFP&K	382 X 180 X 125 * 438	M8	M12	90	440	100	C
FT-41201S-A	550HF, 550HFP&K	382 X 180 X 125 * 438	M8	M12	110	440	120	C
FT-41501S-A	750HF, 750HFP&K	430 X 210 X 150 * 461	M10	M10	149	440	150	D
FT-41801S-A	900HF, 900HFP&K	430 X 210 X 150 * 461	M10	M10	176	440	180	D
FT-42201S-A	1100HF, 1100HFP&K	430 X 210 X 150 * 461	M10	M10	217	440	220	D
FT-42601S-A	1320HF, 1320HFP&K	430 X 210 X 150 * 461	M10	M10	260	440	260	D
KT3AK-4400	1600HF, 1600HFP&K	W475 X H200 X D220	M12	M12	325	450	400	-
KT3AK-4500	2200HF, 2000HFP, 2200HFK	W510 X H200 X D220	M12	M12	440	450	500	
A3R4700-KL	2800HF, 2800~3200HFP	W520 X H160 X D220	8x12	M8x30	525, 616	450	700	
A3R41K0-KL	3500HF, 3800HFP	W520 X H160 X D220	8x12	M8x30	656, 732	450	1000	

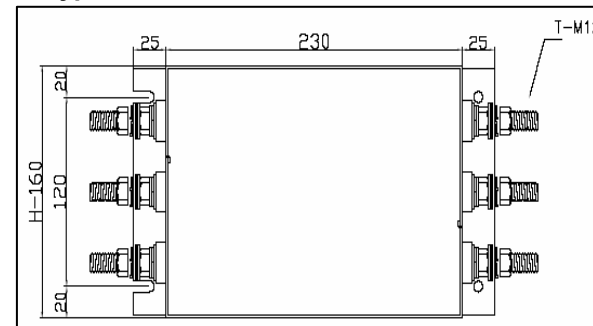
A-Type



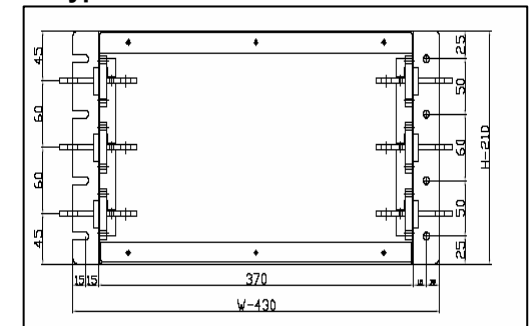
B-Type



C-Type



D-Type

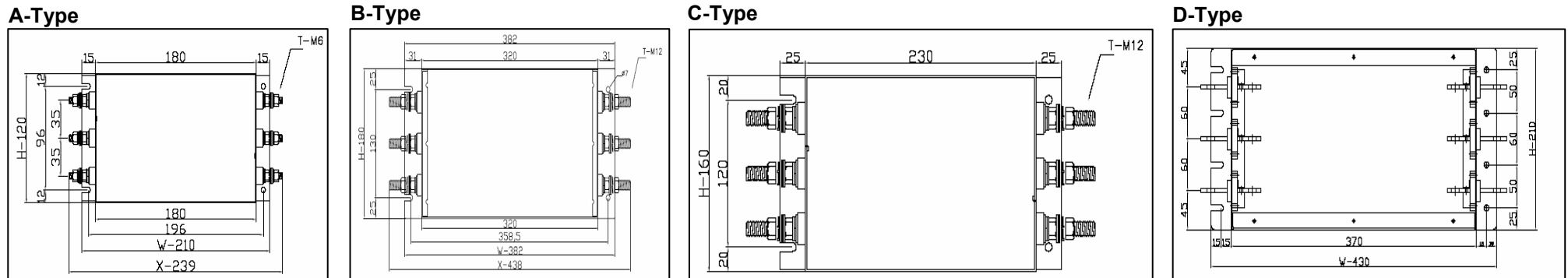


Model Selection				Option Specification									
SF&LF Type	HF Type	LFP&K Type	HFP&K Type	AC Reactor		DC Reactor		BRD Unit	Braking Resistor		Noise Filter		Feedback & Communication
				Input	Output	200V Class	400V Class		Low duty	Heavy duty	Input	Output	

3-5. Specification - Noise Filter (4/5)

Electrical Specification, Dimension and Weight Output Side (SF, LF, LFP&K Type)

Noise Filter Name	Inverter Model Name	Dimensions (mm)			Specification			Remarks
		(W x H x D) * X	G	T	Inverter Current [A]	Voltage [V]	Filter Current [A]	
FT-20301S-A	004~055SF/LF, 037~055LFP&K	210 X 120 X 70 * 239	M6	M6	24	250	30	A
FT-20401S-A	075LF, 075LFP&K	210 X 120 X 70 * 239	M6	M6	32	250	40	A
FT-20501S-A	110LF, 110LFP&K	210 X 120 X 70 * 239	M6	M6	46	250	50	A
FT-20701S-A	150LF, 150LFP&K	280 X 160 X 100 * 348	M6	M12	64	250	70	B
FT-20801S-A	185LF, 185LFP&K	280 X 160 X 100 * 348	M6	M12	76	250	80	B
FT-21001S-A	220LF, 220LFP&K	382 X 180 X 125 * 438	M8	M12	95	250	100	C
FT-21301S-A	300LF, 300LFP&K	382 X 180 X 125 * 438	M8	M12	121	250	130	C
FT-21501S-A	370LF, 370LFP&K	430 X 210 X 150 * 461	M10	M10	145	250	150	D
FT-22001S-A	450LF, 450LFP&K	430 X 210 X 150 * 461	M10	M10	182	250	200	D
FT-22501S-A	550LF, 550LFP&K	430 X 210 X 150 * 461	M10	M10	220	250	250	D
FT-22501S-A	750LFP	430 X 210 X 150 * 461	M10	M10	220	250	250	D



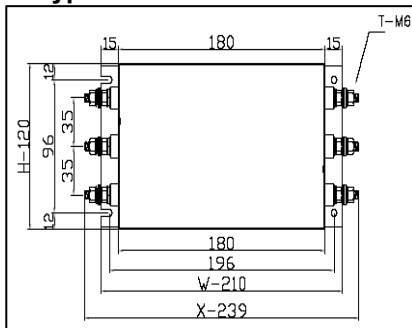
Model Selection				Option Specification									
SF&LF Type	HF Type	LFP&K Type	HFP&K Type	AC Reactor		DC Reactor		BRD Unit	Braking Resistor		Noise Filter		Feedback & Communication
				Input	Output	200V Class	400V Class		Low duty	Heavy duty	Input	Output	

3-5. Specification - Noise Filter (5/5)

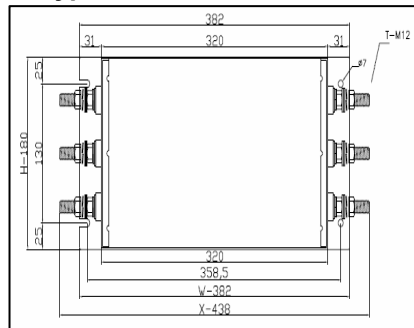
Electrical Specification, Dimension and Weight Output Side (HF, HFP&K Type)

Noise Filter Name	Inverter Model Name	Dimensions (mm)			Specification			Remarks
		(W x H x D) * X	G	T	Inverter Current [A]	Voltage [V]	Filter Current [A]	
FT-4020ISO-A	004~055HF, 037~055HFP&K	210 X 120 X 70 * 239	M6	M6	12	450	20	A
FT-4020ISO-A	075HF, 075HFP&K	210 X 120 X 70 * 239	M6	M6	16	450	20	A
FT-4030ISO-A	110HF, 110HFP&K	210 X 120 X 70 * 239	M6	M6	23	450	30	A
FT-4040ISO-A	150HF, 150HFP&K	210 X 120 X 70 * 239	M6	M6	32	450	40	A
FT-4040ISO-A	185HF, 185HFP&K	210 X 120 X 70 * 239	M6	M6	38	450	40	A
FT-4050ISO-A	220HF, 220HFP&K	210 X 120 X 70 * 239	M6	M6	48	450	50	A
FT-4060ISO-A	300HF, 300HFP&K	210 X 120 X 70 * 239	M6	M6	58	440	60	A
FT-4080ISO-A	370HF, 370HFP&K	280 X 160 X 100 * 348	M6	M12	75	440	80	B
FT-4100ISO-A	450HF, 450HFP&K	382 X 180 X 125 * 438	M8	M12	90	440	100	C
FT-4120ISO-A	550HF, 550HFP&K	382 X 180 X 125 * 438	M8	M12	110	440	120	C
FT-4150ISO-A	750HF, 750HFP&K	430 X 210 X 150 * 461	M10	M10	149	440	150	D
FT-4180ISO-A	900HF, 900HFP&K	430 X 210 X 150 * 461	M10	M10	176	440	180	D
FT-4220ISO-A	1100HF, 1100HFP&K	430 X 210 X 150 * 461	M10	M10	217	440	220	D
FT-4260ISO-A	1320HF, 1320HFP&K	430 X 210 X 150 * 461	M10	M10	260	440	260	D
KT3CZ-4400	1600HF, 1600HFP&K	W475 X H200 X D220	M12	M12	325	450	400	-
KT3CZ-4500	2200HF, 2000HFP, 2200HFK	W440 X H200 X D220	M12	M12	440	450	500	
Z3R4700-KL	2800HF, 2800~3200HFP	W520 X H160 X D220	8x12	M8x30	525, 616	450	700	
Z3R41K0-KL	3500HF, 3800HFP	W520 X H160 X D220	8x12	M8x30	656, 732	450	1000	

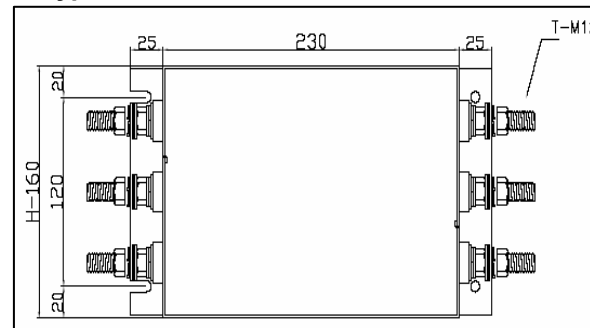
A-Type



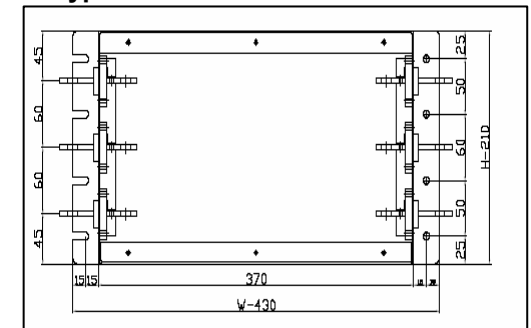
B-Type



C-Type



D-Type



Model Selection				Option Specification									
SF&LF Type	HF Type	LFP&K Type	HFP&K Type	AC Reactor		DC Reactor		BRD Unit	Braking Resistor		Noise Filter		Feedback & Communication
				Input	Output	200V Class	400V Class		Low duty	Heavy duty	Input	Output	

4. Options for Feedback & Communication

Feedback

Feedback Option card used for accurate speed feedback

N50 : None

N100 : None

J300 : Option

N300 : Option

N700 ; Option

N700E : Option

N500 : Built-in

Communication & Digital Operator

Many kinds of communication protocol can be selected

N50 : Digital operator , RJ45 (1m, 3m) Communication cable

N100 : Digital operator , RJ45 (1m, 3m) Communication cable

J300 : RS485(Built-in) , Device net (Option) , Profibus-DP (Option)

N300 : RS485(Built-in) , Device net (Option) , Profibus-DP (Option)

N700 : RS485/232(Built-in) , Profibus-DP (Option)

N700E : RS485(Built-in)

N500 : RS485(Built-in)

Model Selection				Option Specification									
SF&LF Type	HF Type	LFP&K Type	HFP&K Type	AC Reactor		DC Reactor		BRD Unit	Braking Resistor		Noise Filter		Feedback & Communication
				Input	Output	200V Class	400V Class		Low duty	Heavy duty	Input	Output	